

This Page Is Inserted by IFW Operations
and is not a part of the Official Record

BEST AVAILABLE IMAGES

Defective images within this document are accurate representations of the original documents submitted by the applicant.

Defects in the images may include (but are not limited to):

- BLACK BORDERS
- TEXT CUT OFF AT TOP, BOTTOM OR SIDES
- FADED TEXT
- ILLEGIBLE TEXT
- SKEWED/SLANTED IMAGES
- COLORED PHOTOS
- BLACK OR VERY BLACK AND WHITE DARK PHOTOS
- GRAY SCALE DOCUMENTS

IMAGES ARE BEST AVAILABLE COPY.

**As rescanning documents *will not* correct images,
please do not report the images to the
Image Problem Mailbox.**

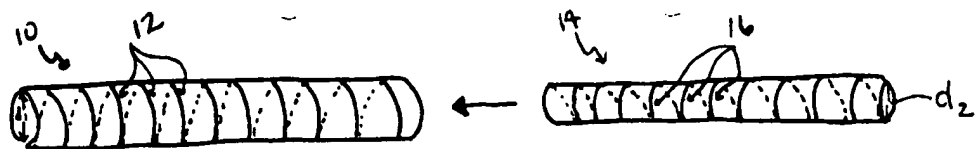


FIG. 1

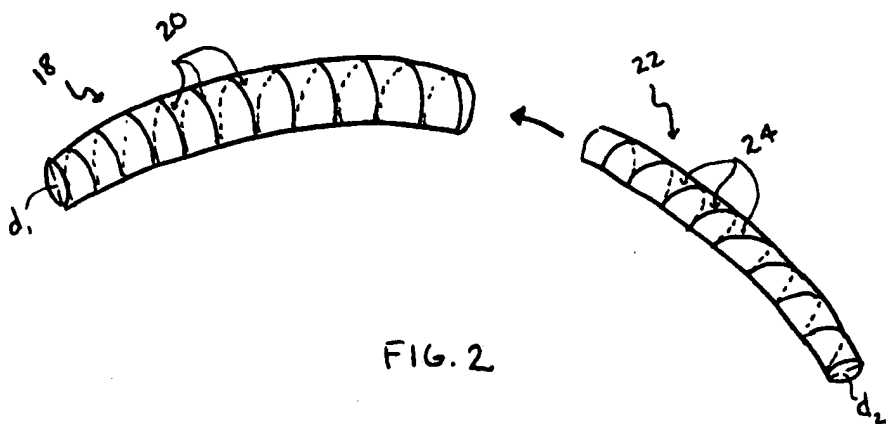


FIG. 2

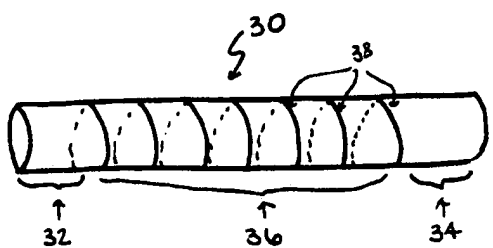


FIG. 3

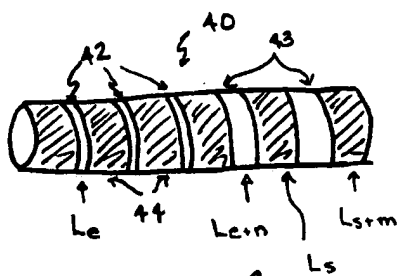


FIG. 4 Ls

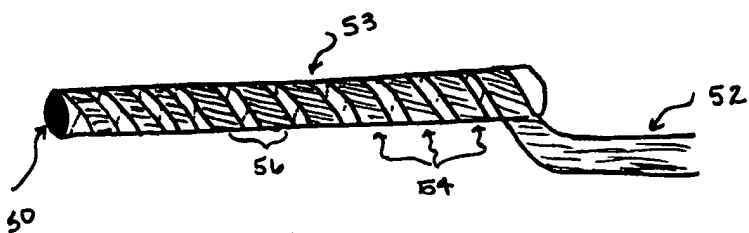


FIG. 5A

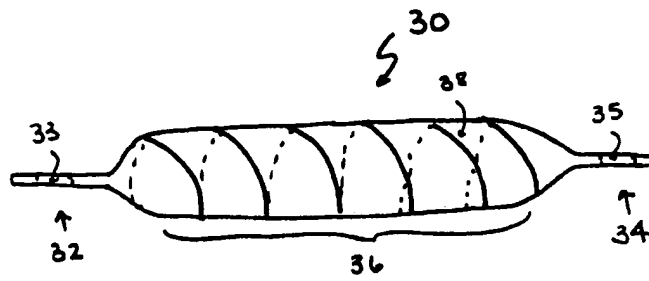


FIG. 3A

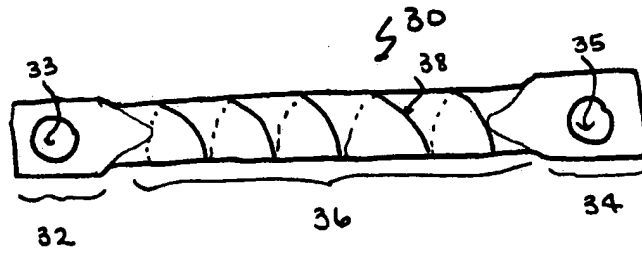


FIG. 3B

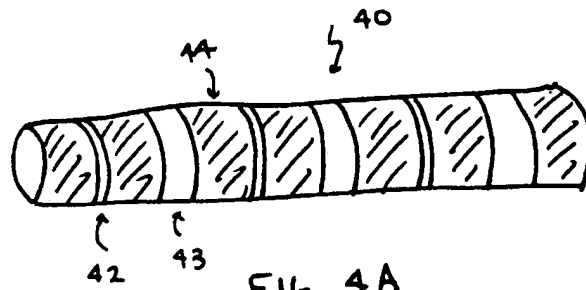


FIG. 4A

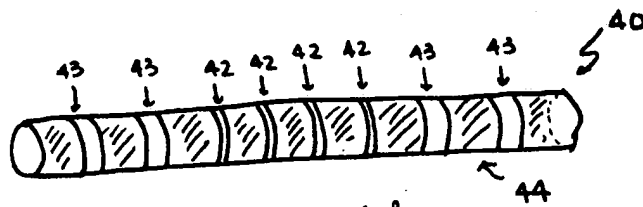


FIG. 4B

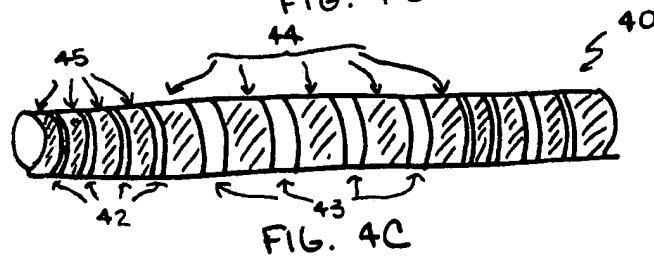


FIG. 4C

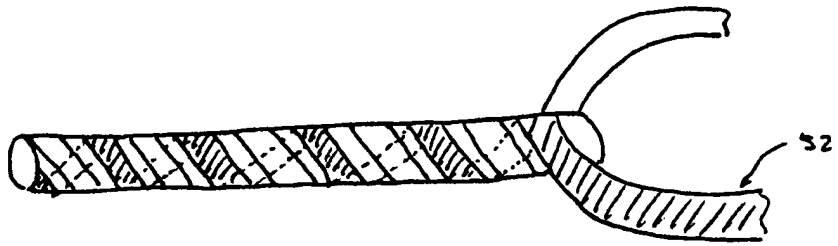


FIG. 5B

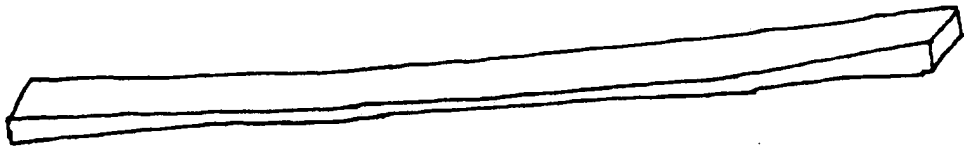
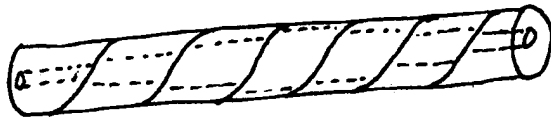


FIG. 5C

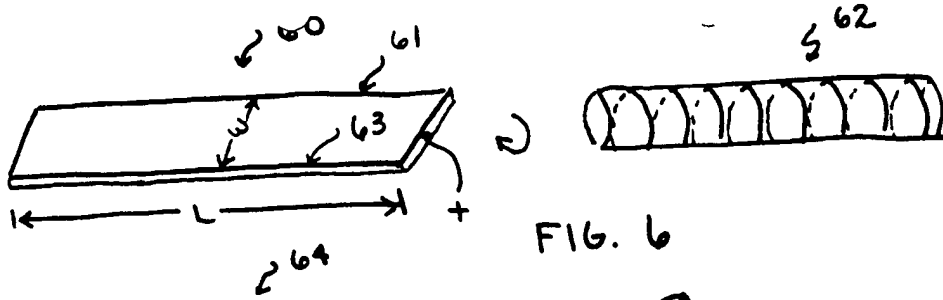


FIG. 6

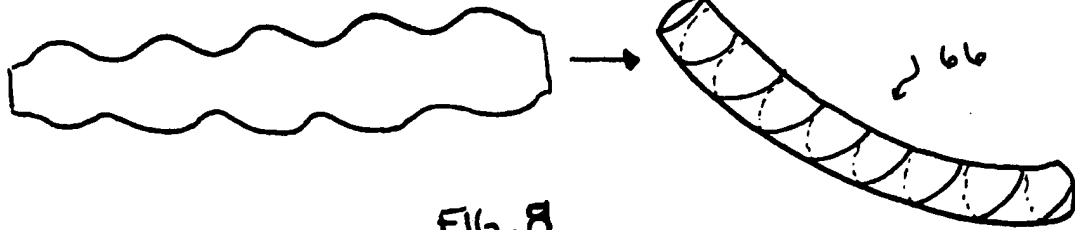


FIG. 8

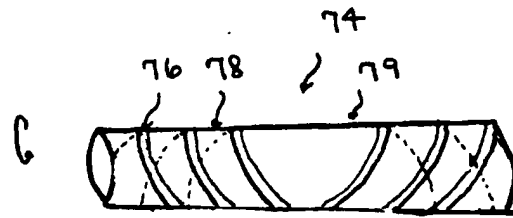
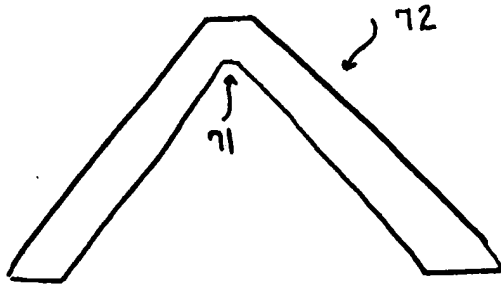


FIG. 9

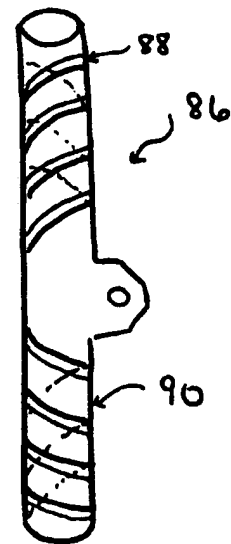
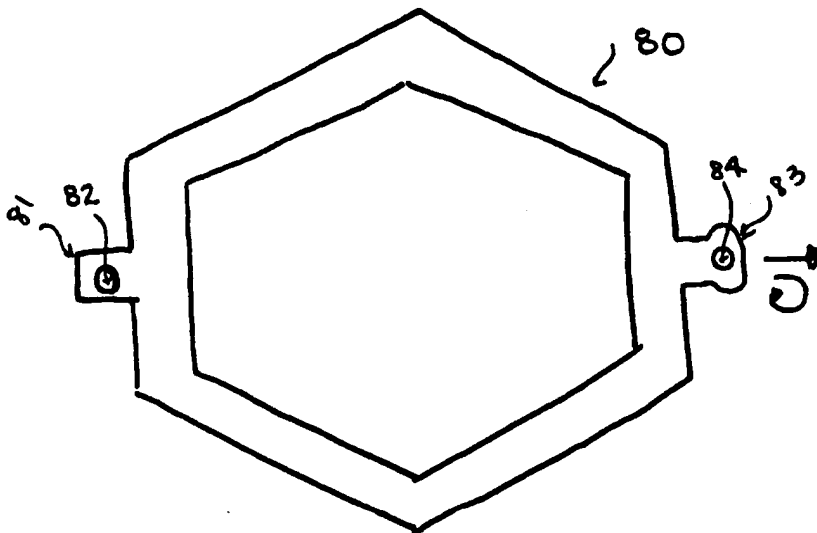


FIG. 10A

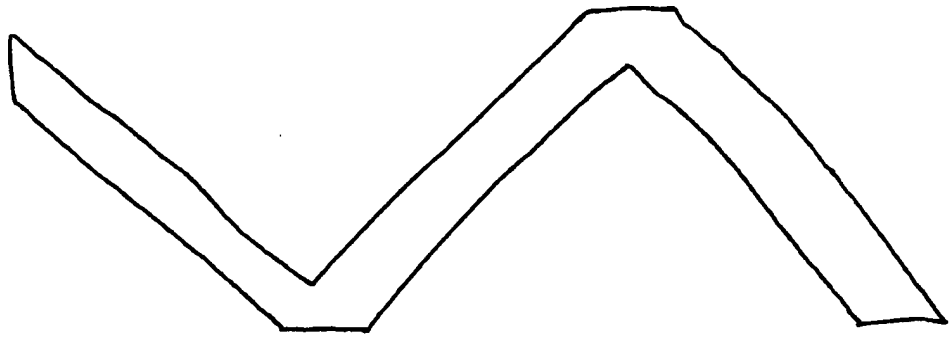


FIG. 10B

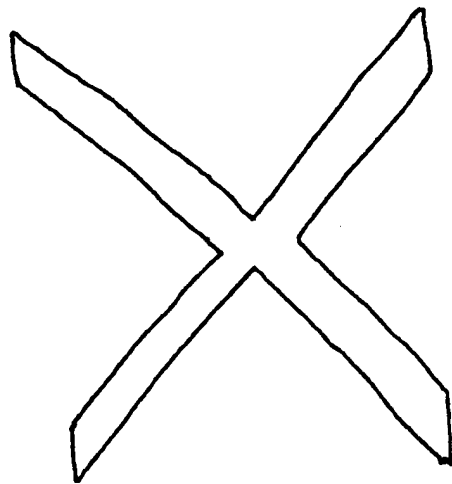


FIG. 10C

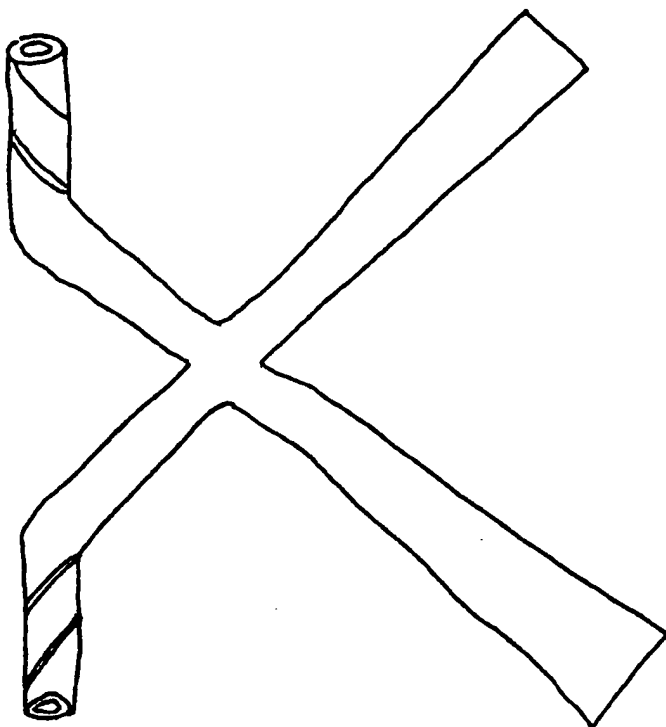


FIG. 10D

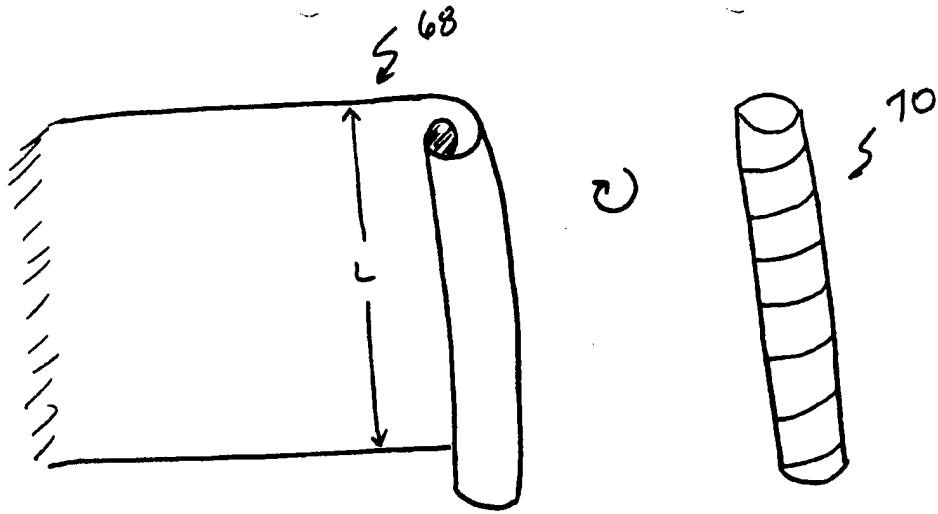


FIG. 7

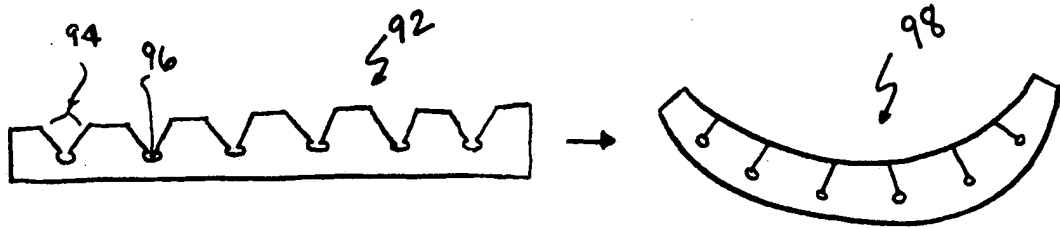


FIG. 11A

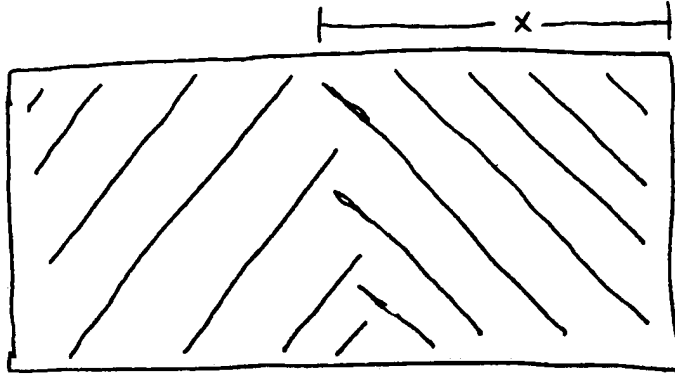


FIG. 11B

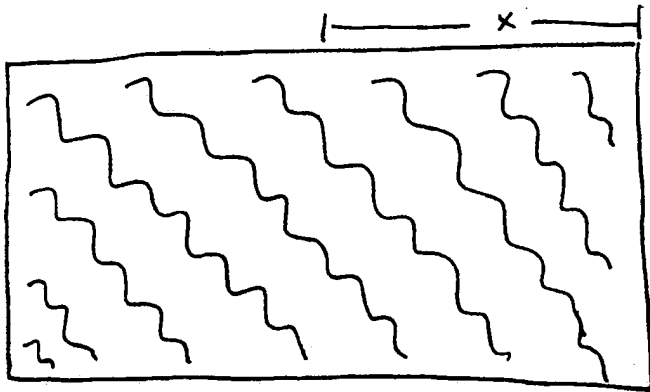


FIG. 11C

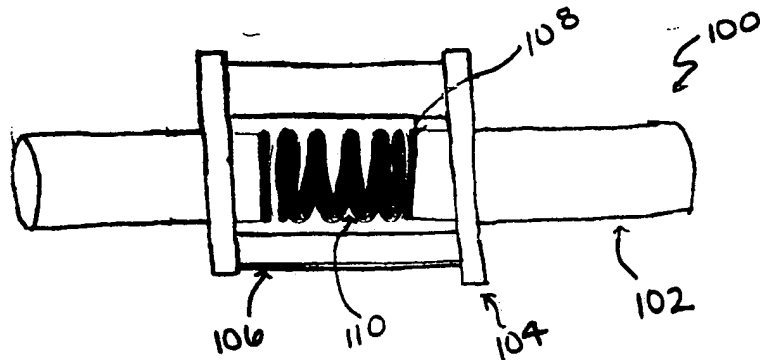


FIG. 12

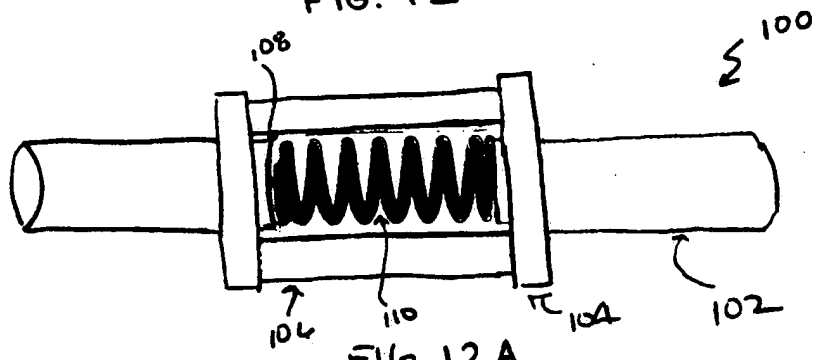


FIG. 12A

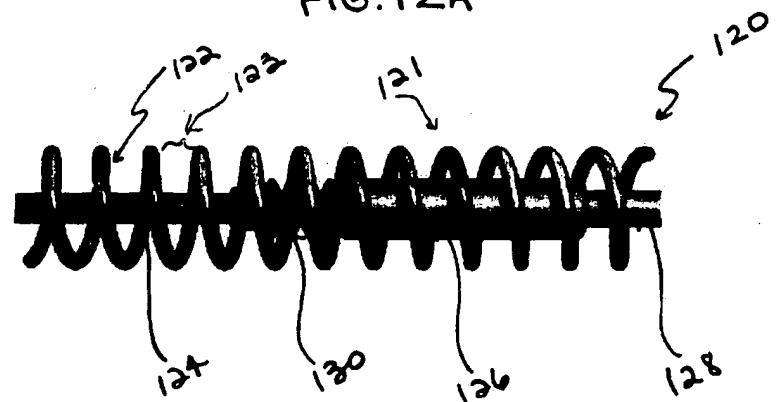


FIG. 13

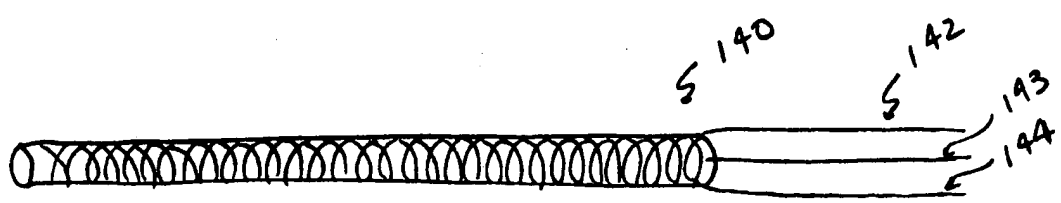


FIG. 14

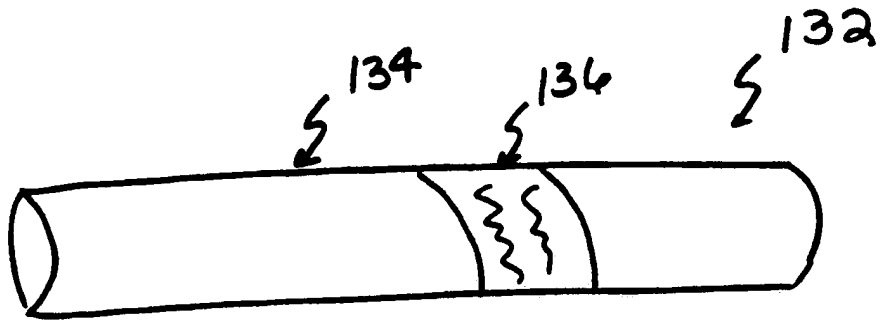


FIG. 13A

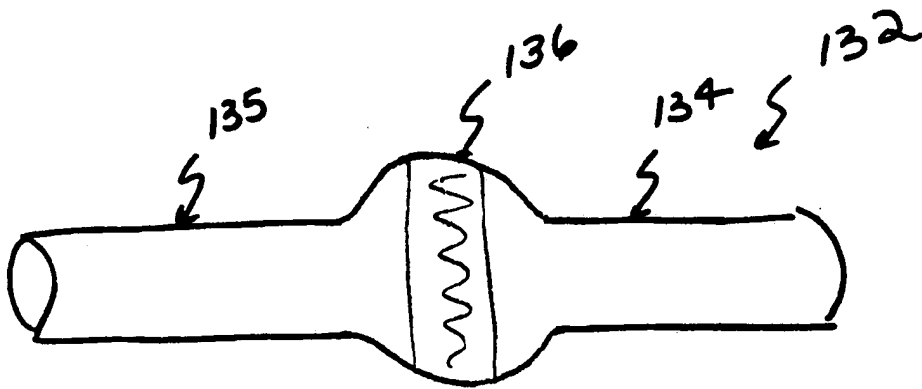
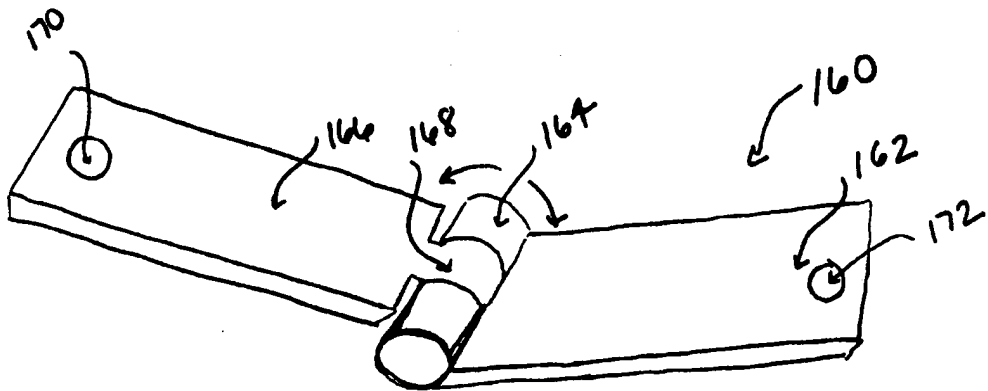
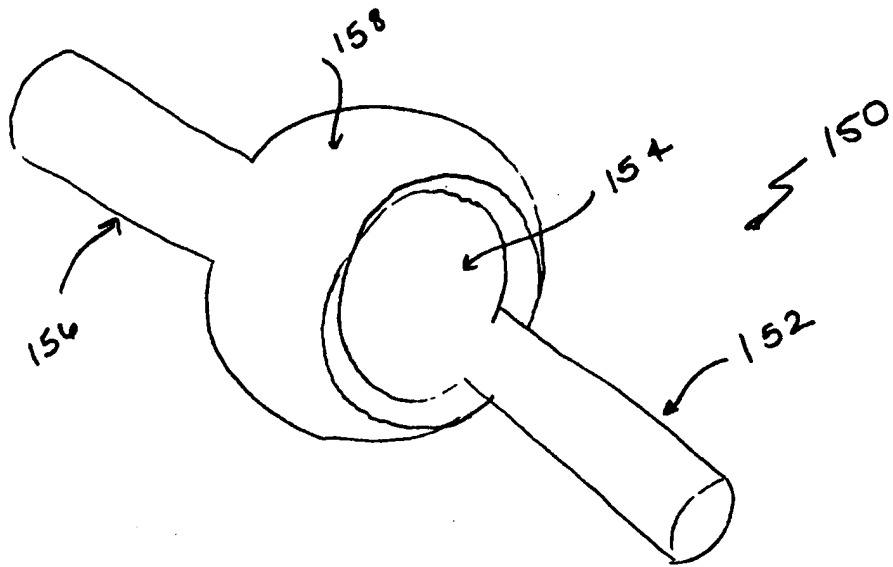
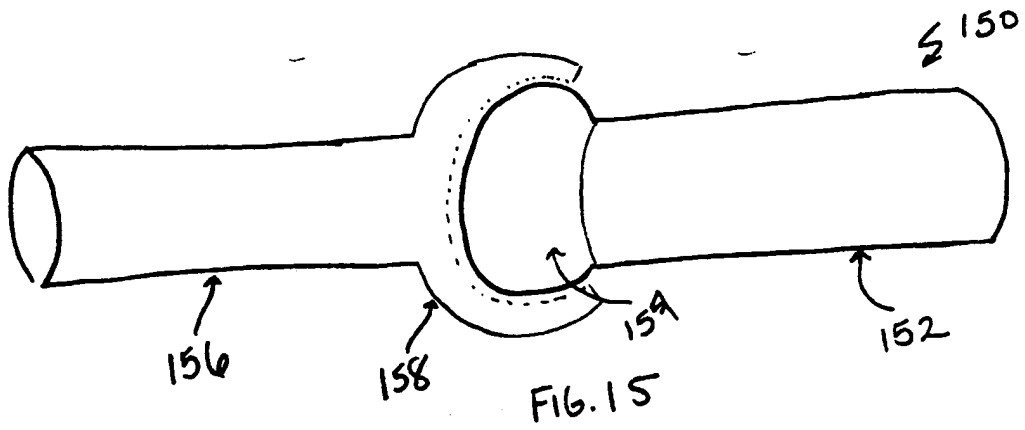


FIG. 13B



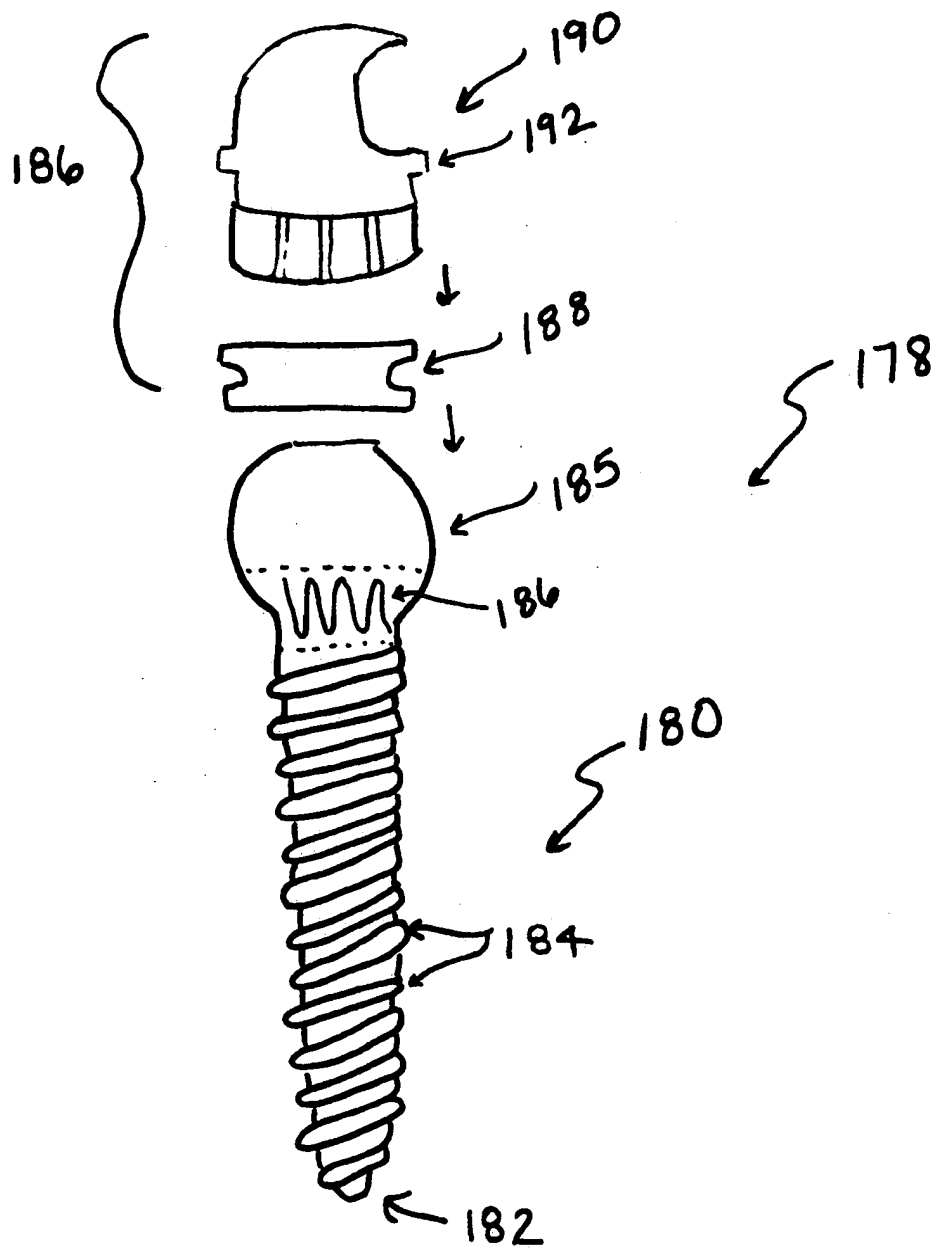


FIG. 17

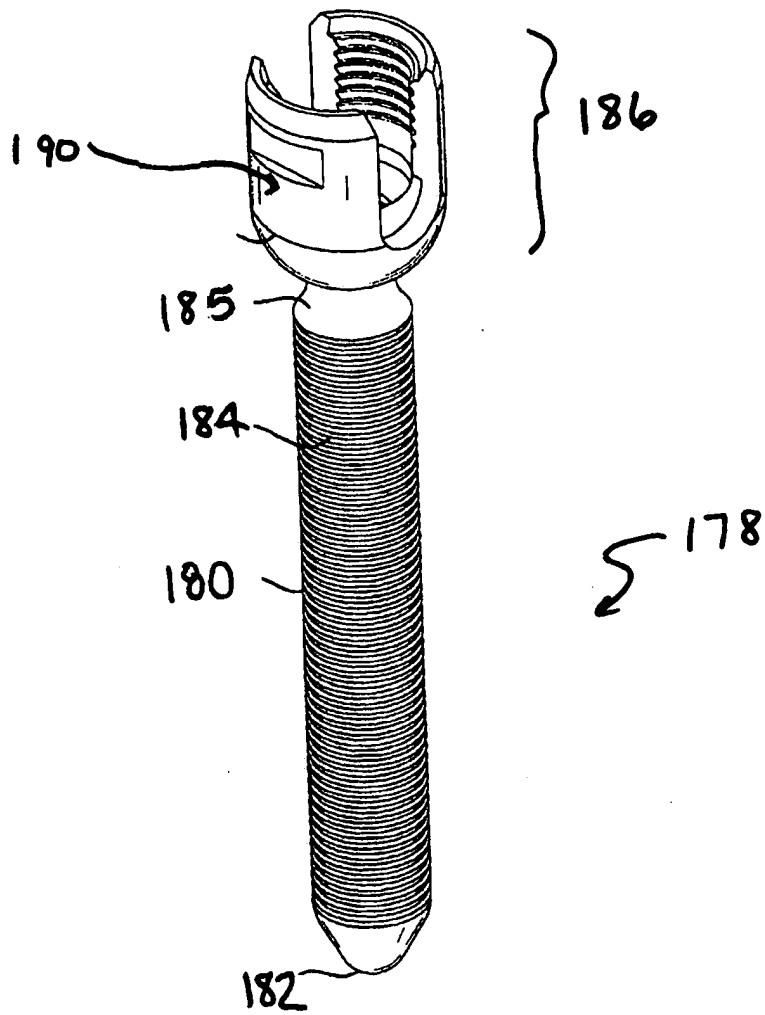
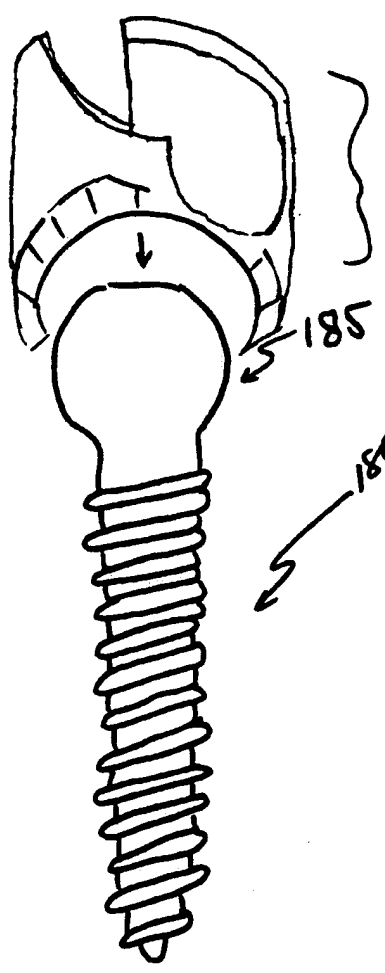


FIG. 18



178

FIG. 19



186

185

180

178

FIG. 20

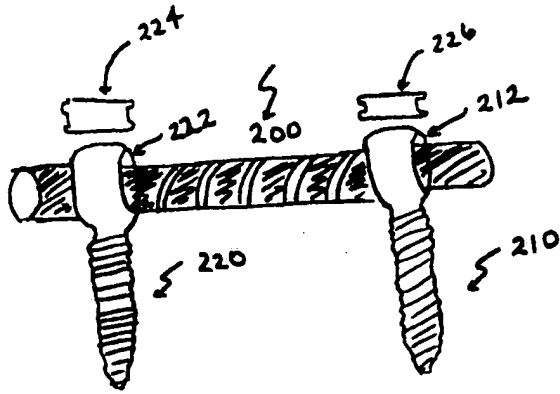


FIG. 21

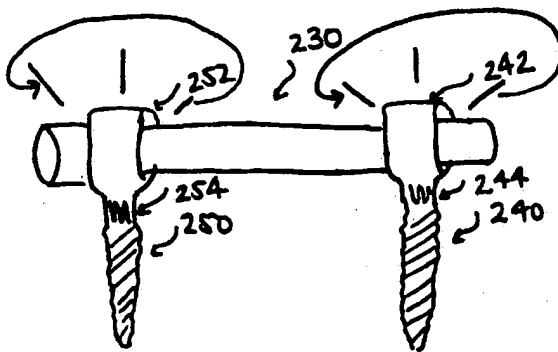


FIG. 22

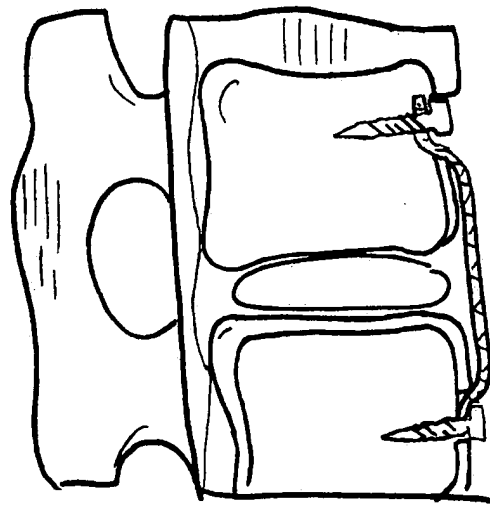


FIG. 25

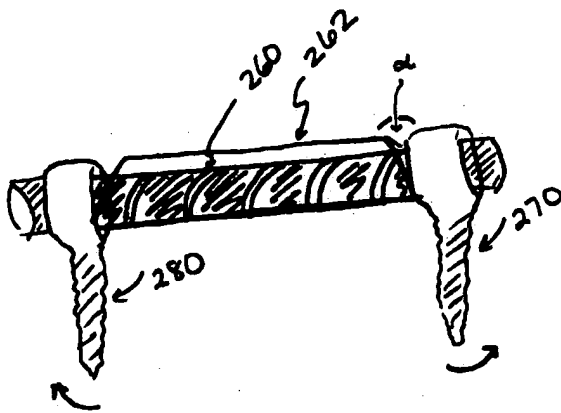


FIG. 23

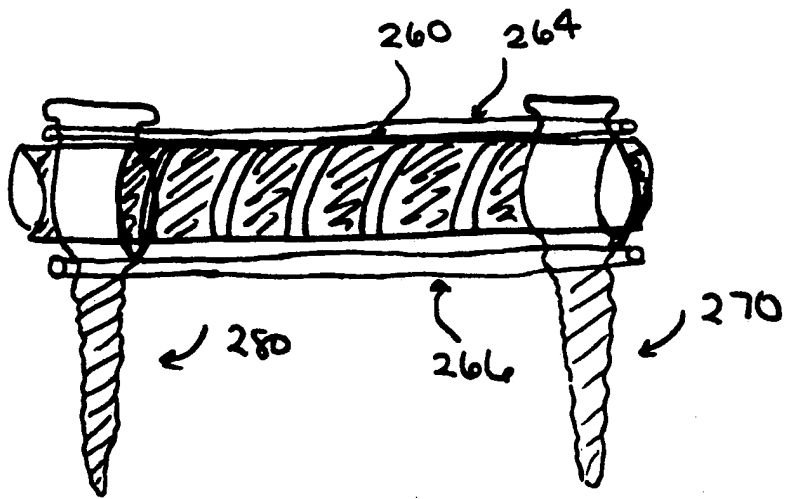


FIG. 23A

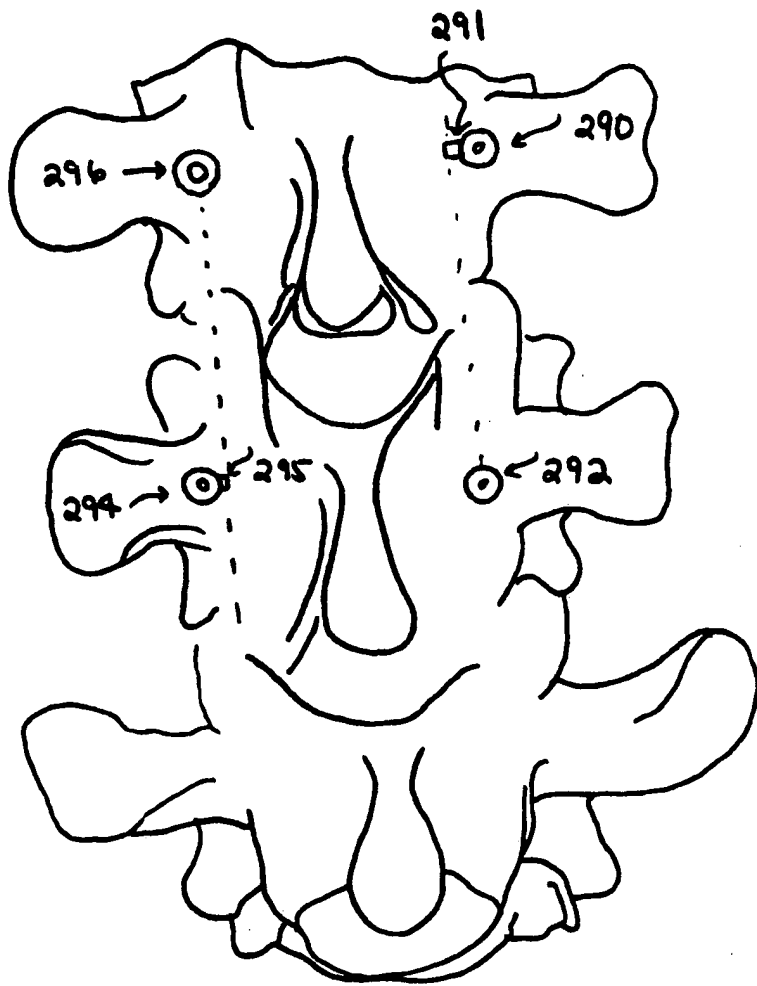


FIG. 24

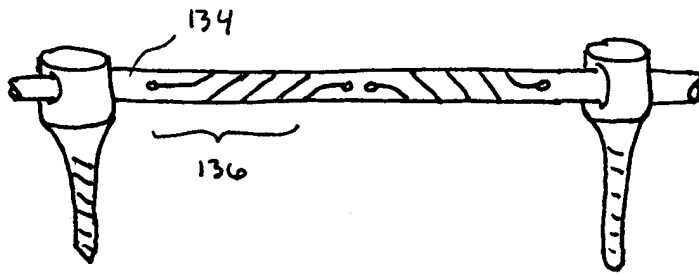


FIG. 26

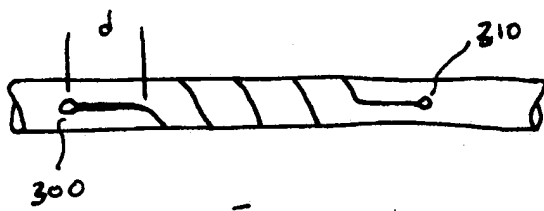


FIG. 27A

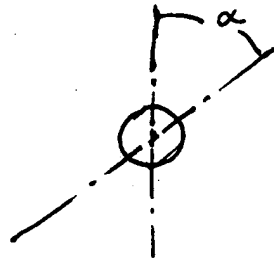


FIG. 27B

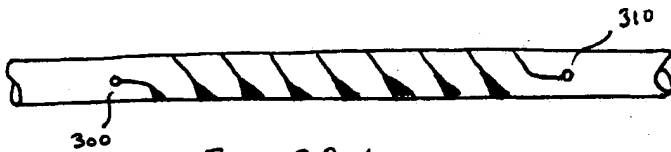


FIG. 28A

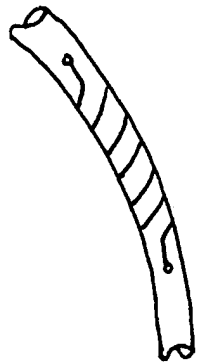


FIG. 28B

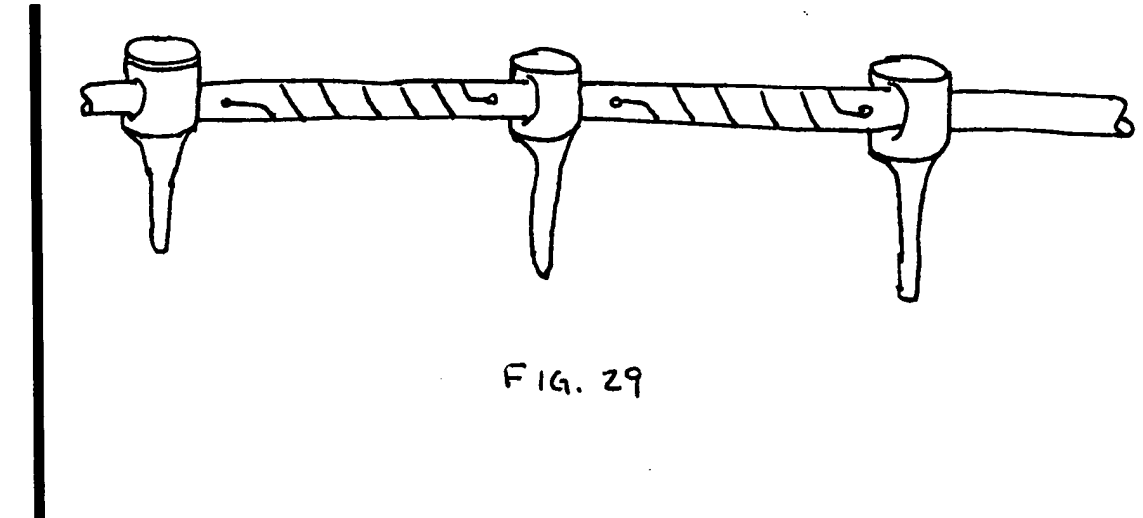


FIG. 29

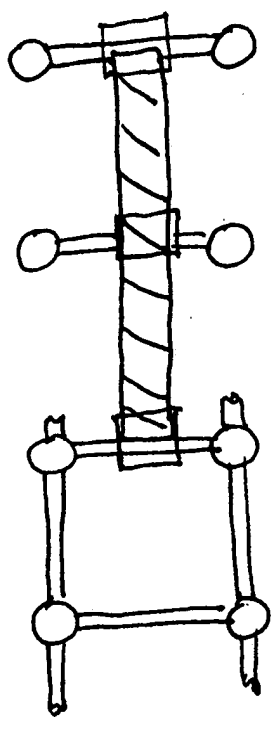


FIG. 30A

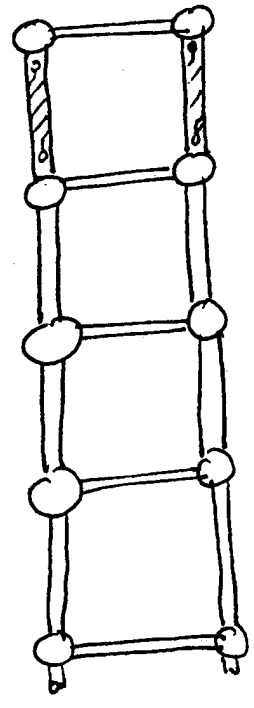
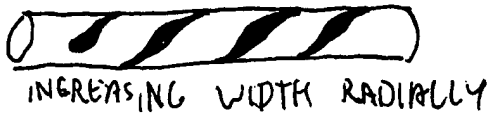


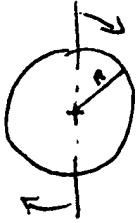
FIG. 30B



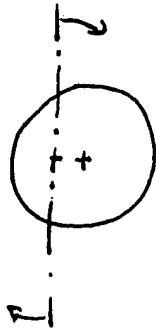
31A



35 31B



32A



32B